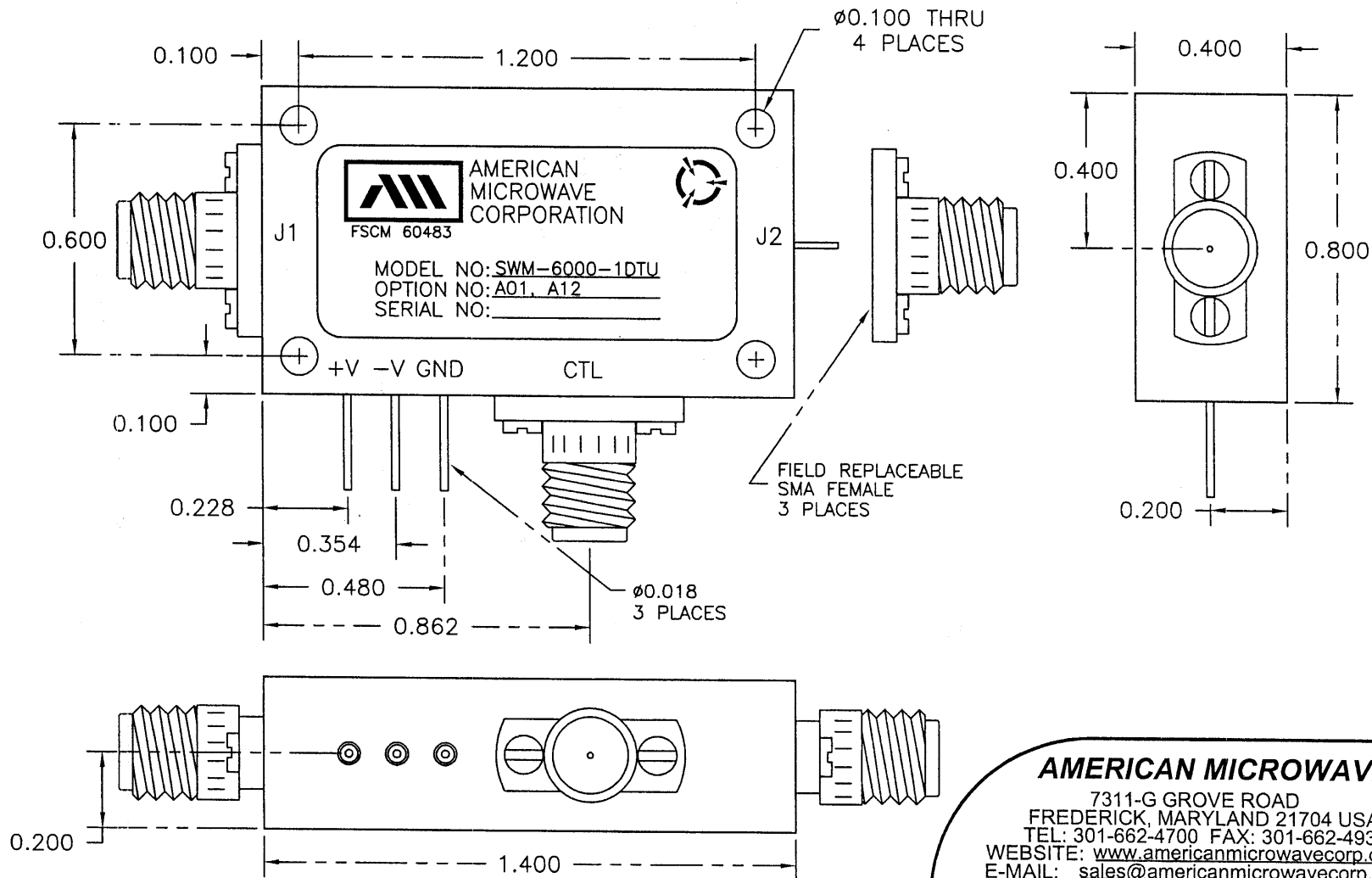


# DESCRIPTION

AMC MODEL SWM-6000-1DTU OPTION: A01, A12 IS A DC TO 6 GHz, ABSORPTIVE/NON-REFLECTIVE, SINGLE POLE SINGLE THROW SWITCH MODULE HAVING A CONTROL IMPEDANCE OF 50 OHMS AND HAS A SMA FEMALE CONTROL CONNECTOR

REVISIONS				
ZONE	REV.	DESCRIPTION	DATE	APPROVED
	-	ORIGINAL RELEASE JOB# 407157N	9/7/04	RA

# MECHANICAL OUTLINE



ALL DIMENSIONS ARE IN INCHES  
 TOLERANCES:  
 X.XX ±0.020  
 X.XXX ±0.010  
 WEIGHT: APPROXIMATELY 2.5 oz.

## AMERICAN MICROWAVE CORPORATION

7311-G GROVE ROAD  
 FREDERICK, MARYLAND 21704 USA  
 TEL: 301-662-4700 FAX: 301-662-4938  
 WEBSITE: [www.americanmicrowavecorp.com](http://www.americanmicrowavecorp.com)  
 E-MAIL: [sales@americanmicrowavecorp.com](mailto:sales@americanmicrowavecorp.com)  
 ISO 9001:2000 CERTIFIED



APPROVALS		DATE	TITLE		
DRAWN	FDJ	9/7/04	MECHANICAL OUTLINE SWM-6000-1DTU OPTION: A01, A12 DC TO 6 GHz, SINGLE POLE SINGLE THROW SWITCH		
CHECKED	RA	9/7/04	SIZE	FSCM NO.	DWG NO.
ISSUED			A	60483	100-7107
			SCALE	N:S	SHEET 2 OF 3

## DESCRIPTION

AMC MODEL SWM-6000-1DTU OPTION: A01, A12 IS A DC TO 6 GHz, ABSORPTIVE/NON-REFLECTIVE, SINGLE POLE SINGLE THROW SWITCH MODULE HAVING A CONTROL IMPEDANCE OF 50 OHMS AND HAS A SMA FEMALE CONTROL CONNECTOR

## SPECIFICATIONS

- FREQUENCY RANGE ..... DC-6.0 GHz
- INSERTION LOSS ..... 3.5 dB MAXIMUM
- ISOLATION ..... 50 dB MINIMUM
- VSWR (ON/OFF) ..... 1.5:1 MAXIMUM
- SWITCHING TIME
  - RISE (10% RF TO 90% RF) ..... 5 nS MAXIMUM
  - FALL (90% RF TO 10% RF) ..... 5 nS MAXIMUM
  - ON (50% TTL TO 90% RF) ..... 15 nS MAXIMUM
  - OFF (50% TTL TO 10% RF) ..... 15 nS MAXIMUM
- RF POWER RATINGS
  - DC-2.0 GHz ..... +22 dBm MAXIMUM
  - 2.0-6.0 GHz ..... +26 dBm MAXIMUM
- CONTROL ..... TTL COMPATIBLE, UNITY LOAD, LOGIC "0" ISOLATION LOGIC "1" INSERTION LOSS.
- VOLTAGE TRANSIENTS ..... 50 mV P-P, 100 MHz BANDWIDTH
- POWER SUPPLY ..... +5VDC  $\pm 5\%$  @ 40 mA MAXIMUM  
-5VDC  $\pm 5\%$  @ 40 mA MAXIMUM
- CONNECTORS
  - RF INPUT/OUTPUT ..... FIELD REPLACEABLE SMA (FEMALE)
  - POWER ..... SOLDER PIN
  - CONTROL ..... SMA (FEMALE)
- SIZE ..... 1.40" x 0.80" x 0.40"

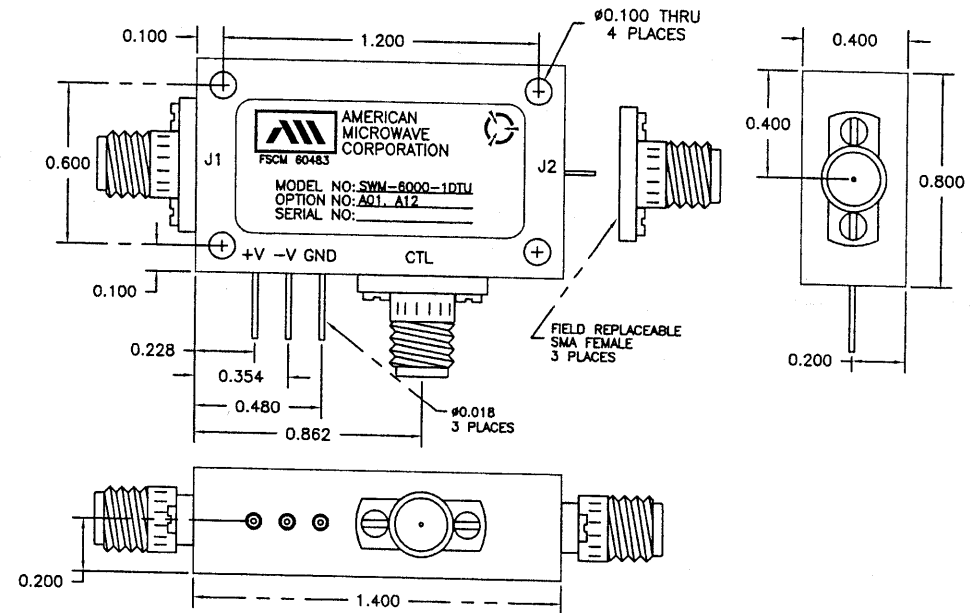
## ENVIRONMENTAL RATINGS

- TEMPERATURE: ..... -55°C TO +85°C (OPERATING)  
-65°C TO +125°C (STORAGE)
- HUMIDITY: ..... MIL-STD-202F, METHOD 103B COND. B
- SHOCK: ..... MIL-STD-202F, METHOD 213B COND. B
- VIBRATION: ..... MIL-STD-202F, METHOD 204D COND. B
- ALTITUDE: ..... MIL-STD-202F, METHOD 105C COND. B
- TEMPERATURE CYCLE: ..... MIL-STD-202F, METHOD 107D COND. A

NOTE: SPECIFICATIONS WILL VARY OVER OPERATING TEMPERATURE  
NOTE: THE ABOVE SPECIFICATIONS ARE SUBJECT TO CHANGE OR REVISION

ALL DIMENSIONS ARE IN INCHES  
TOLERANCES:  
X.XX  $\pm 0.020$   
X.XXX  $\pm 0.010$   
WEIGHT: APPROXIMATELY 2.5 oz.

REVISIONS				
ZONE	REV.	DESCRIPTION	DATE	APPROVED
	-	ORIGINAL RELEASE JOB# 407157N	9/7/04	AA



## AMERICAN MICROWAVE CORPORATION

7311-G GROVE ROAD  
FREDERICK, MARYLAND 21704 USA  
TEL: 301-662-4700 FAX: 301-662-4938  
WEBSITE: [www.americanmicrowavecorp.com](http://www.americanmicrowavecorp.com)  
E-MAIL: [sales@americanmicrowavecorp.com](mailto:sales@americanmicrowavecorp.com)  
ISO 9001:2000 CERTIFIED



APPROVALS		DATE	TITLE		
DRAWN <i>JDJ</i>		9/7/04	PRODUCT FEATURE SWM-6000-1DTU OPTION: A01, A12		
CHECKED <i>CA</i>		9/7/04	DC TO 6 GHz, SINGLE POLE SINGLE THROW SWITCH		
ISSUED			SIZE	FSCM NO.	DWG NO.
			A	60483	100-7107
			SCALE	N:S	
			SHEET		1 OF 3